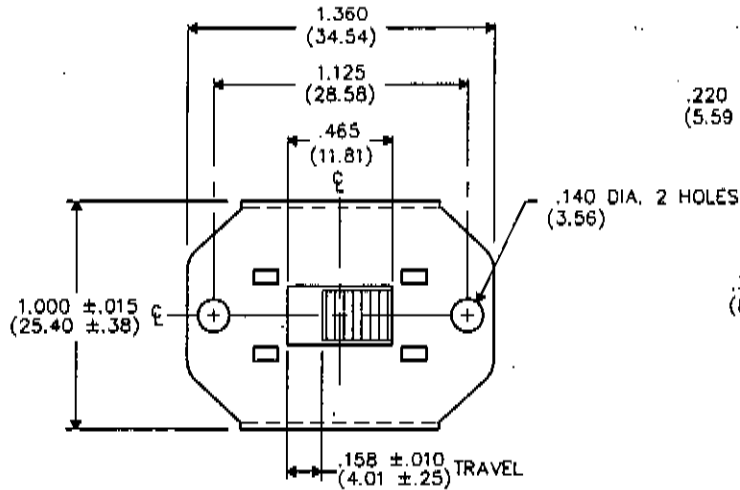


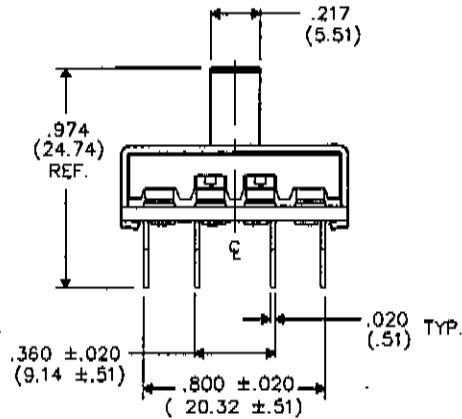
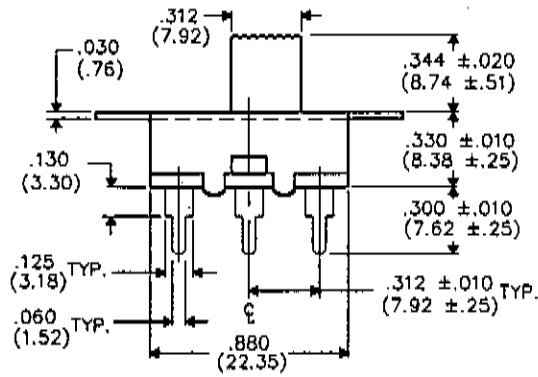
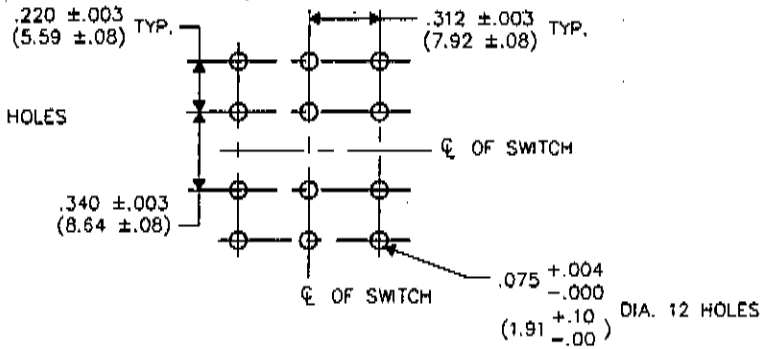
DIMENSIONS IN INCHES (MILLIMETERS)  
DO NOT SCALE DRAWING .....

Dwg. No.

GF-642-0023



P.C. LAYOUT



1 2 3 4 5 6 7 8 9 10

REVISIONS  
0  
RELEASED: DGW 7-07-97  
JUL 23 1997

Blank area for additional revisions or notes.

PDF File Made  
ID. No: SAF0230A

<b>DW INDUSTRIES</b> Southampton, Pa. 18966	
TOLERANCES UNLESS OTHERWISE SPECIFIED	
2 Place Decimal ±.010	METRIC
3 Place Decimal ±.005	1 Place Dec. ±.25mm
Angles ±1°	2 Place Dec. ±.13mm
Made for: CW IND.	Division: SWITCH
Drawn by: DGW 7-07-97	Dwg. No. GF-642-0023
Checked by: G. GULD 7-24-97	
Approved: [Signature]	

Title: STANDARD SWITCH ASSEMBLY 4P.- D.T.